



BUILT:

Built / Rebuilt	:	1987 / 2012
Builder	:	Scheepswerf " De Waal" Zaltbommel, / The Netherlands
Call Sign	:	J8B3697
Official No.	:	10170
Flag	:	St. Vincent & Grenadines
Class	:	ABS A1E "Offshore Support Vessel, Fire Fighting Class 1 + AMS + DPS1

PRINCIPAL DIMENSION:

Length	:	37.44 M
Beam	:	11.00M
Max Draught	:	5.20M
GRT	:	609 TONS
NRT	:	182 TONS

MACHINERY / PROPULSION:

Main Engines	:	2 Wartsila 12 V22MD each 195 KW
Horse Power	:	5400 BHP, 3970 KW
Propellers	:	2 x Schottel Azimuth Stern Thrusters With variable pitch.
Bow Thruster	:	630 BHP, 400KW
Generators	:	2 x Daf DKT 1160M, Each 156 KVA + 1 x Shaft Generator, 625 KVA + 1 x Deck Generator, 400 Kw

SPEED:

Maximum	:	12 knots
Service Speed	:	10 Knots

CARGO DECK:

Free deck space	:	108.7 M ²
Deck Strength	:	5 Tons / M ²
Cargo Derrick	:	Make Schat Davit, SWL 2T

BUNKER CAPACITY:

Diesel Fuel	:	375 MT
Potable Water	:	120 MT

TRANSFER CAPACITY

Fuel Oil	:	100 M ³ / HR / 70 head
Fresh Water	:	100 M ³ /HR / 70 head

ACCOMODATION:

7 Single Cabins	:	1 Cabin 4 berth
Seating Arrangement	:	25 Passengers

TOWING / ANCHOR-HANDLING EQUIPMENT:

Bollard Pull	:	46.5T
Towing AH Winch Bodewes Hydraulic	:	
Maximum pull	:	900 KN on 3 rd layer
<u>Drum Capacity :</u>	:	
Drum 1	:	800 M – 52 mm
Drum 2	:	60 M x 52 mm
Holding power brake	:	1500 T
Towing winch 2	:	Combined windless, Mooring winch
Maximum pull	:	400T on 2 nd layer
Drum Capacity	:	750 M – 52 M
Towing Pod	:	200 T
Stern roller	:	3M X 1.5 DIA 100T
Tugger Winch	:	1 x 5T
Capstan	:	5 T

RADIO & NAVIGATIONAL EQUIPMENT:

Gyros	:	2 Nos.
Mag. Compass	:	Cassens & Plath
Autopilot	:	Anschuets
Speed Log	:	John Lillie & Gillie
Echo sounder	:	JMC Japan
Wind sensor	:	2 Nos.
Portable VHF (GMDSS)	:	(3) Navico, SRN 150
VHF-DSC Modem	:	(2) JRC JHS 32 A
VHF-RT	:	Sailor , RT 2048
VHF slave	:	JRC, NHC 414
Portable VHF (intra ship)	:	ICOM, IC M2A
SSB MH/HF	:	Samyung Korea, SRG 1150DN
Satcom C	:	Sailor r H 2095 C
EPIRB	:	Jotron, Tron-30S- Mk 11
Navtex	:	JRC, NCR 300A
ARPA and Ecdis	:	2 Nos.
Bnwas	:	Samyung Korea
UPS	:	3 nos.

KONGSBERG CPOS DP1 SYSTEM:

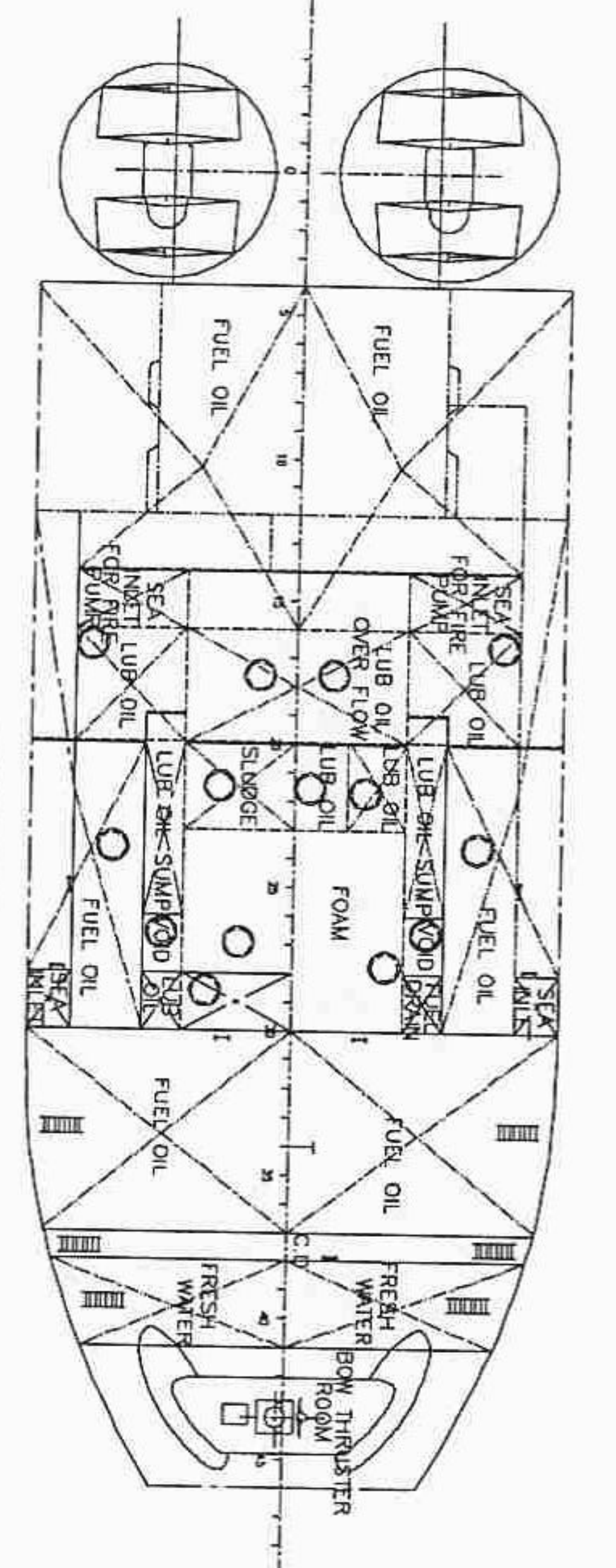
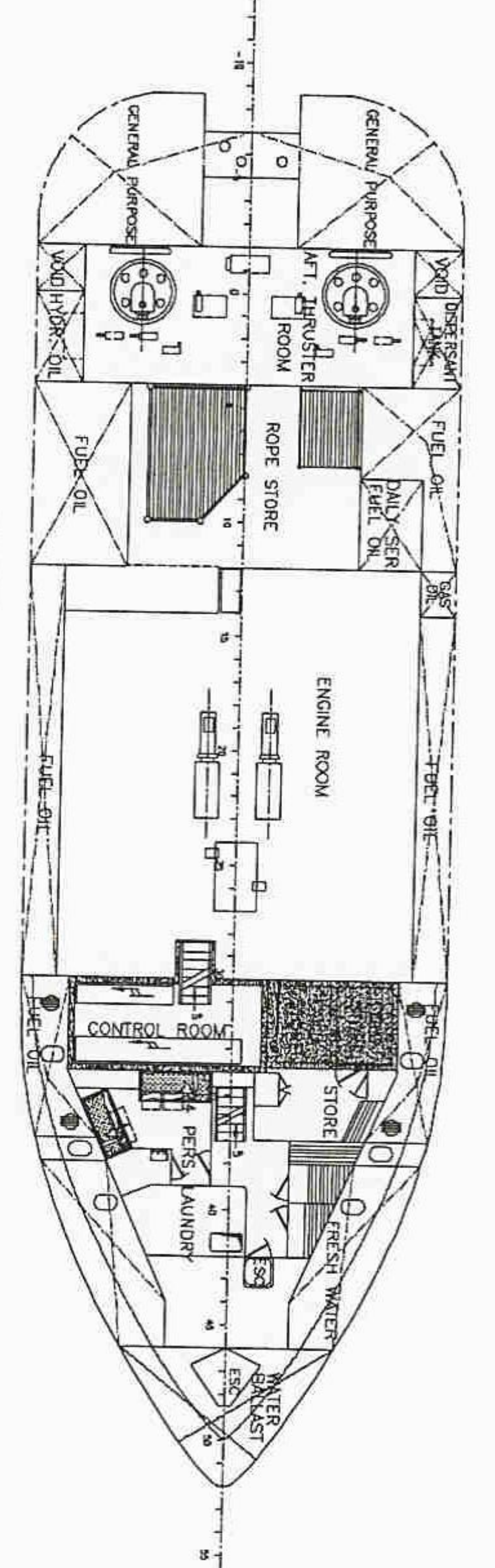
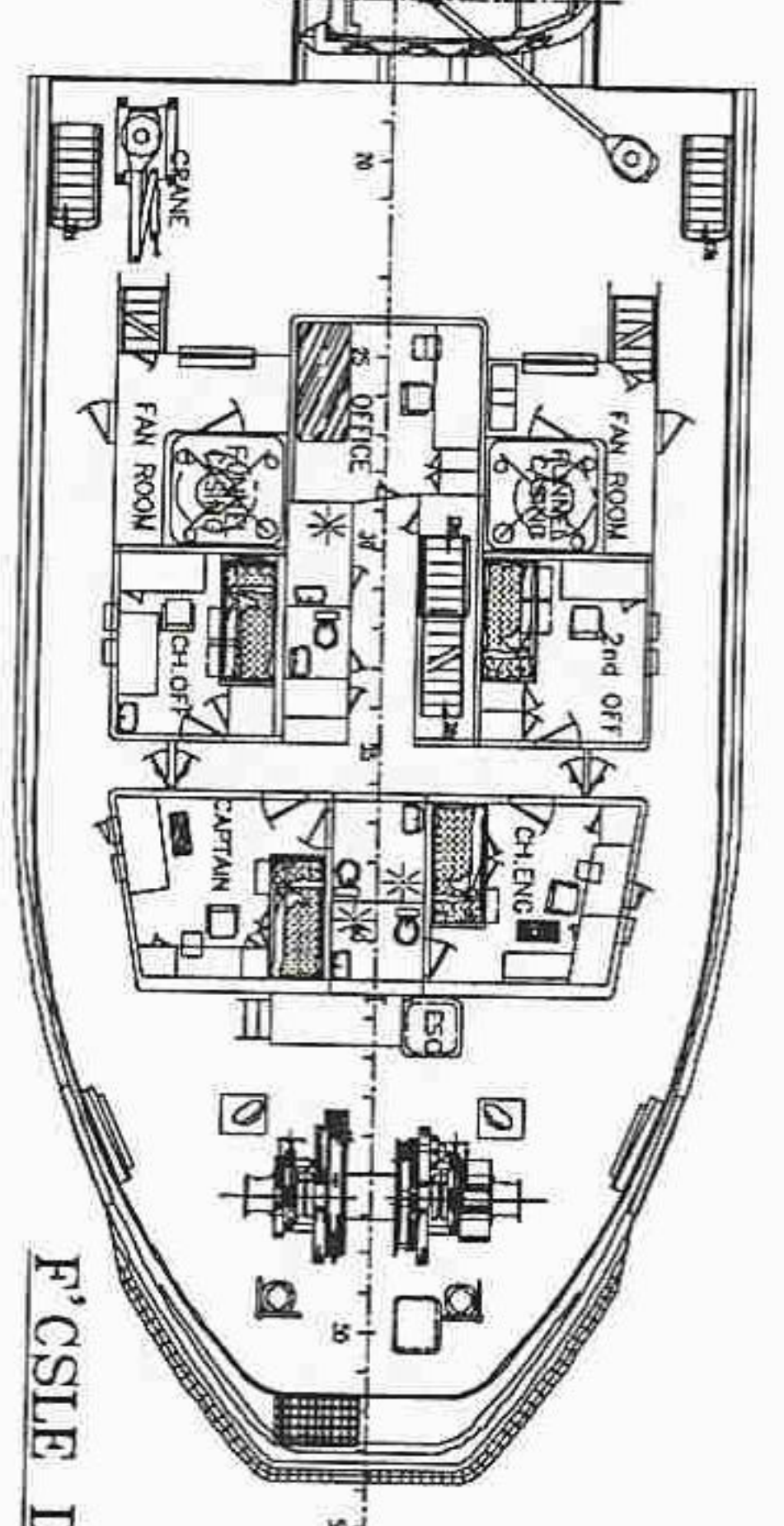
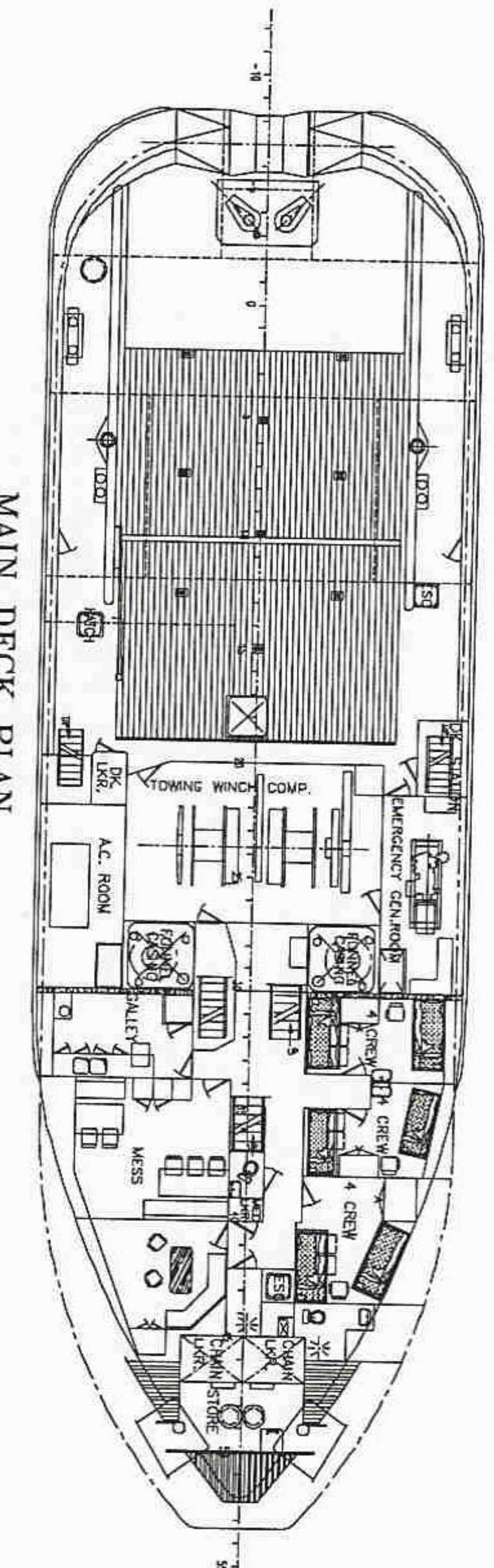
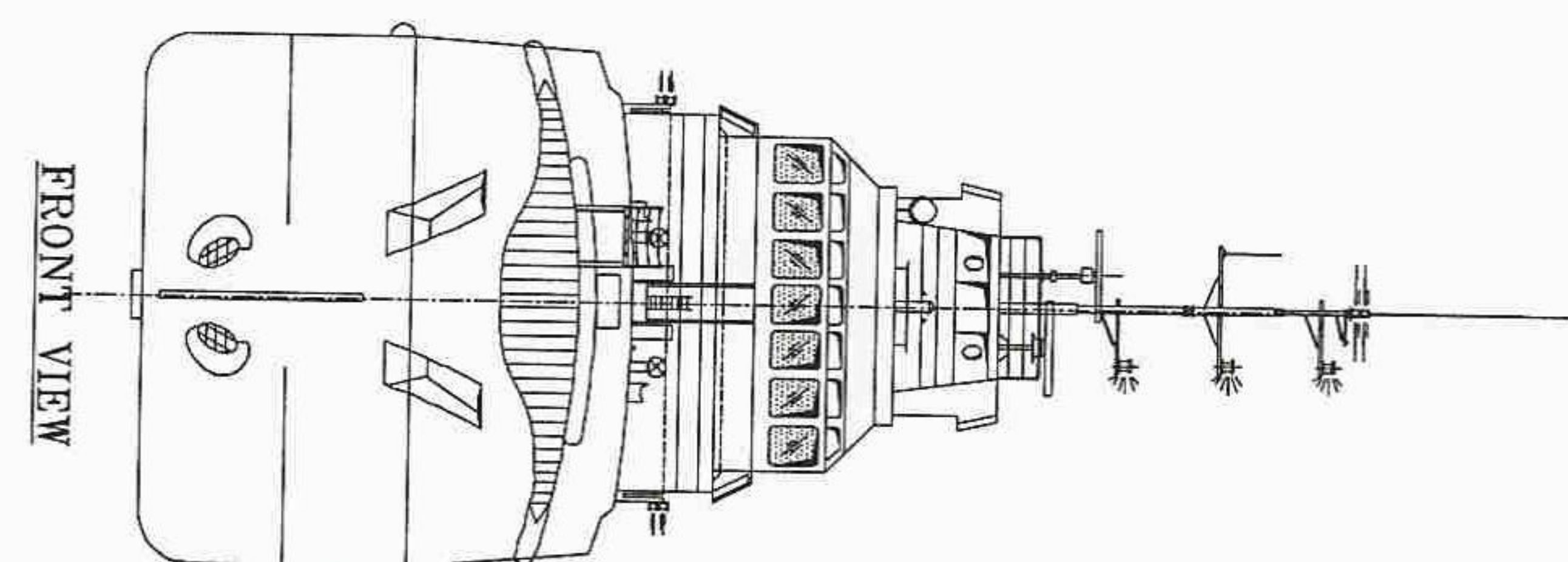
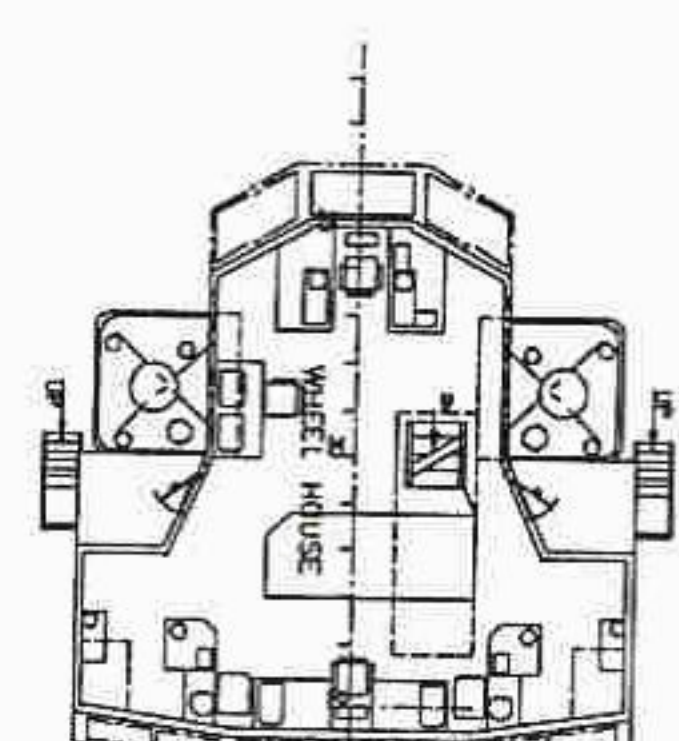
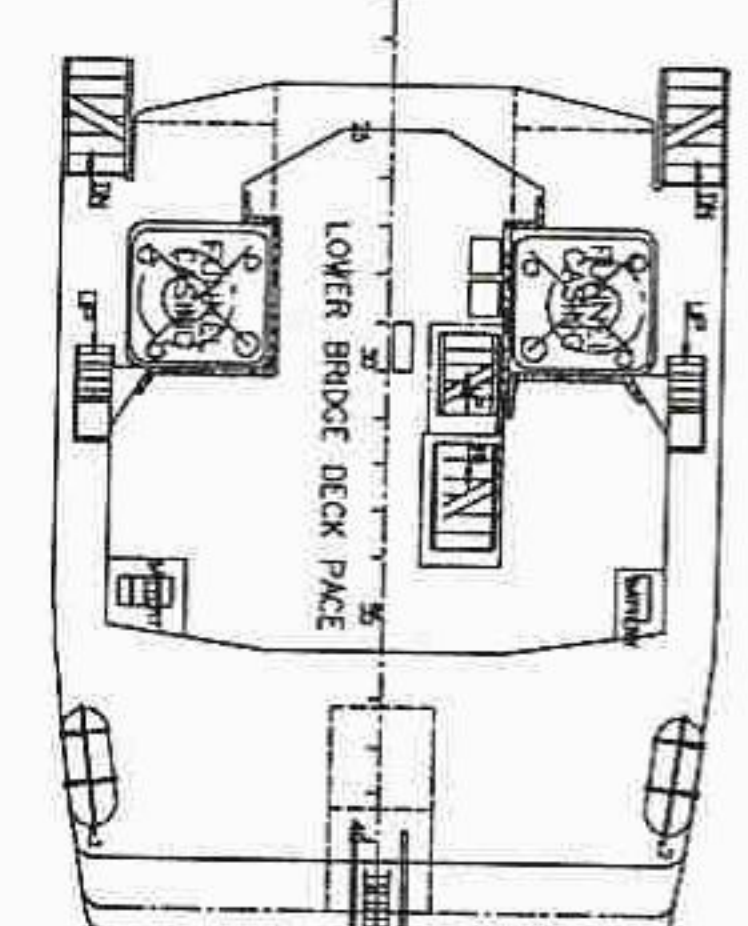
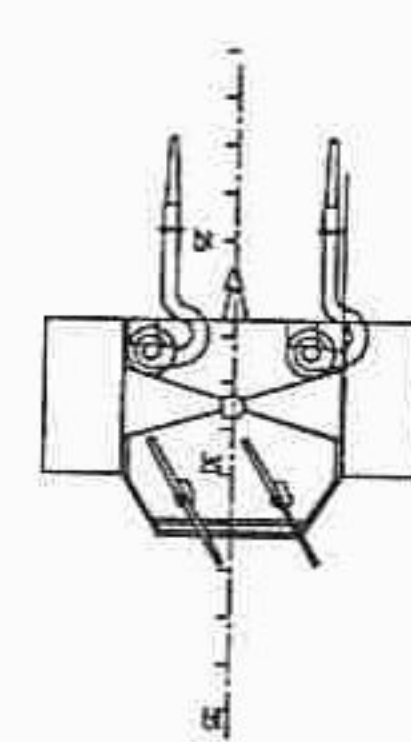
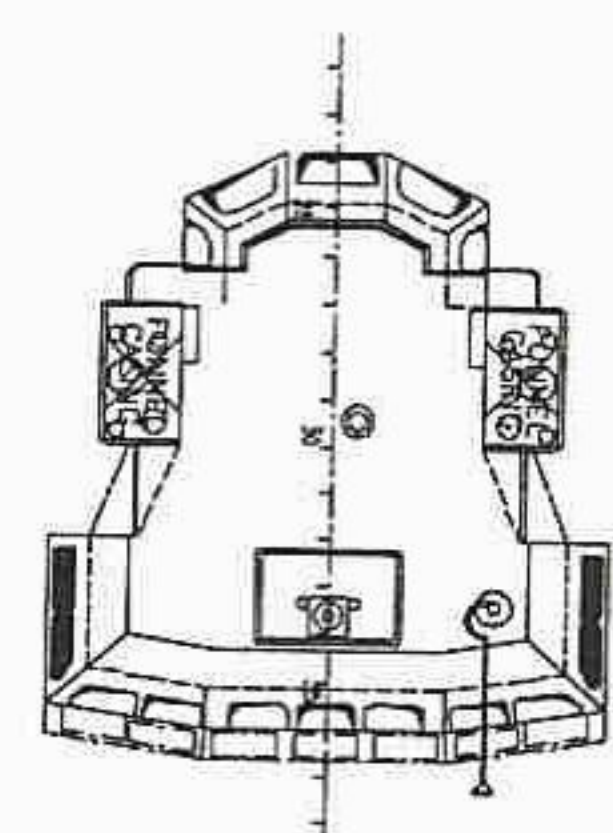
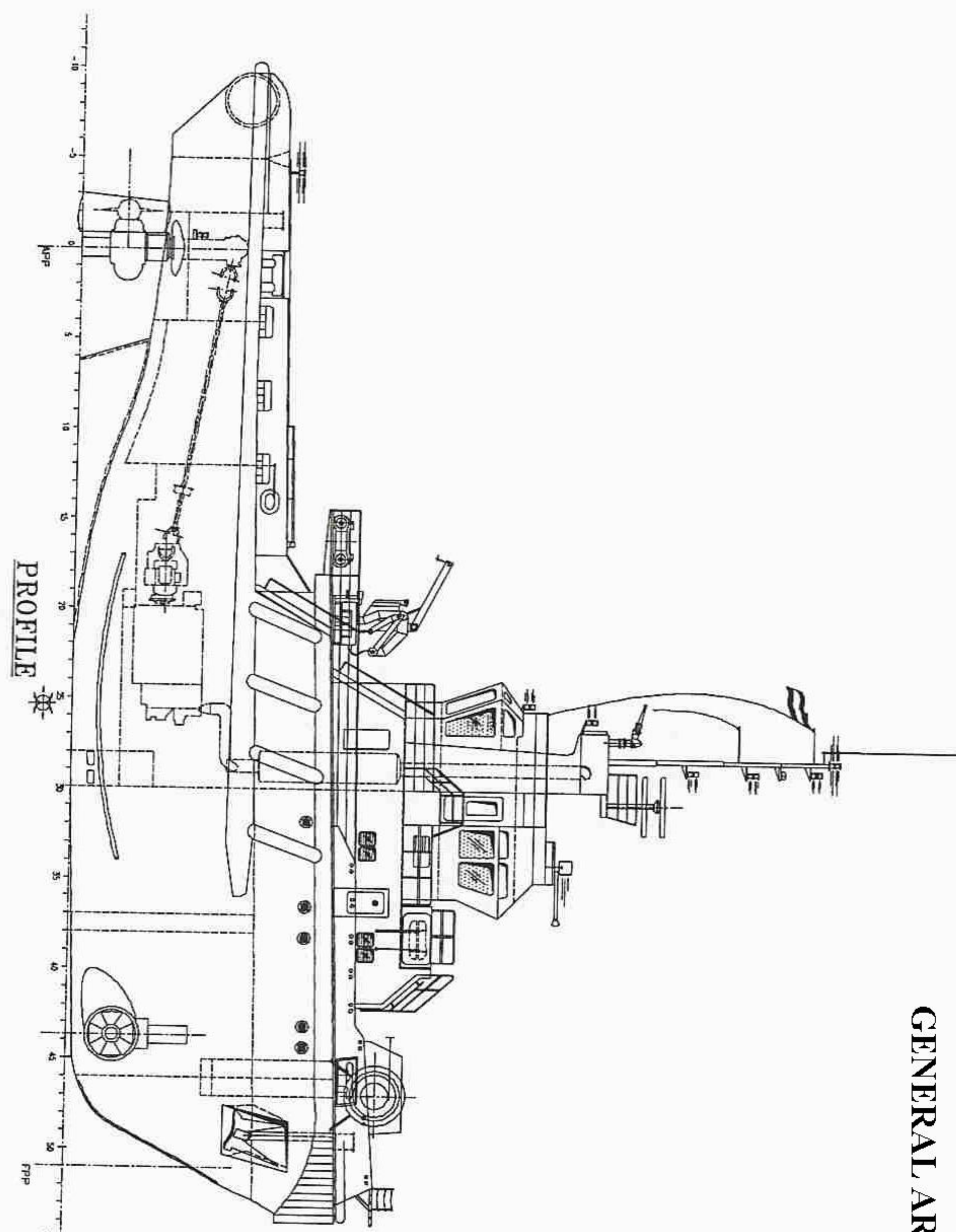
Reference	:	
Joystick	:	
DGPS	:	1 Nos.
Cyscan	:	1 No.

FIRE FIGHTING & LSA EQUIPMENT:

- Firefighting : FiFi pump-max 2400 m³/hr
- Number of Monitor. 2 x 1200 m³/hr
- Remote Control System: Joystick
- Foam Capacity. 15.5 m³
- FRC & davit FRPR10602, 156 kw

Foldable Mast Max AirDraft 12.6
FRC + 5 person + Davit

GENERAL ARRANGEMENT - STANFORD PRIDE



MAIN PARTICULARS:

LENGTH OVER ALL : 37.44 M
 LENGTH BET PP. : 34.08 M
 BREADTH MLD : 11.27 M
 DEPTH MLD : 5.50 M
 DRAFT : 4.40 M

JOB NO.	7-085 N	DATE:	03/04/05
FILENAME	03022 RD		
REV.	DESCRIPTIONS	ISSUED	DATE
1			
<p>GRAND WELD</p> <p>STANFORD PRIDE</p> <p>GENERAL ARRANGEMENT</p>			
<p>STANFORD MARINE, L.L.C.</p>			